

# AUDIO PORT WIRING



**Before attempting to install or operate this product, please read these instructions carefully. Failure to do so may result in damage to the product and may void the warranty.**



## OVERVIEW

Apex Advanced uses 4-pole, 3.5mm audio jacks for connecting the kitchen speakers and auxiliary lines in and out of the system. The kitchen speaker uses a standard 8-ohm speaker. The aux in and out ports are line-level ports. Apex Advanced uses a single, 4-pole, 2.5mm audio jack to connect up to three alarms.

The kitchen speaker allows you to send audio to the kitchen speakers for lanes one and two.

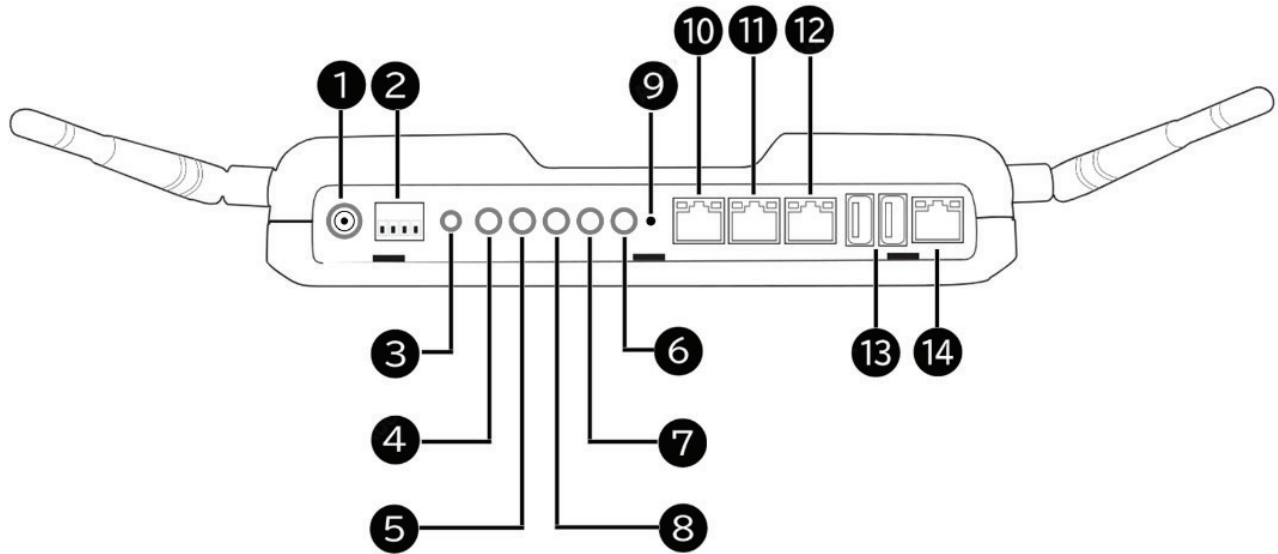
- Vehicle detect tone
- Order taker only
- Inbound audio from an external device
- Broadcast and order taker

The aux out ports allow you to send line-level audio to an external device.

- Vehicle detect tone
- Order taker only
- Inbound audio from an external device
- Broadcast and order taker

The aux in ports allow you to send line-level audio from an external device, like an AI order taker, to the speaker post for each lane.

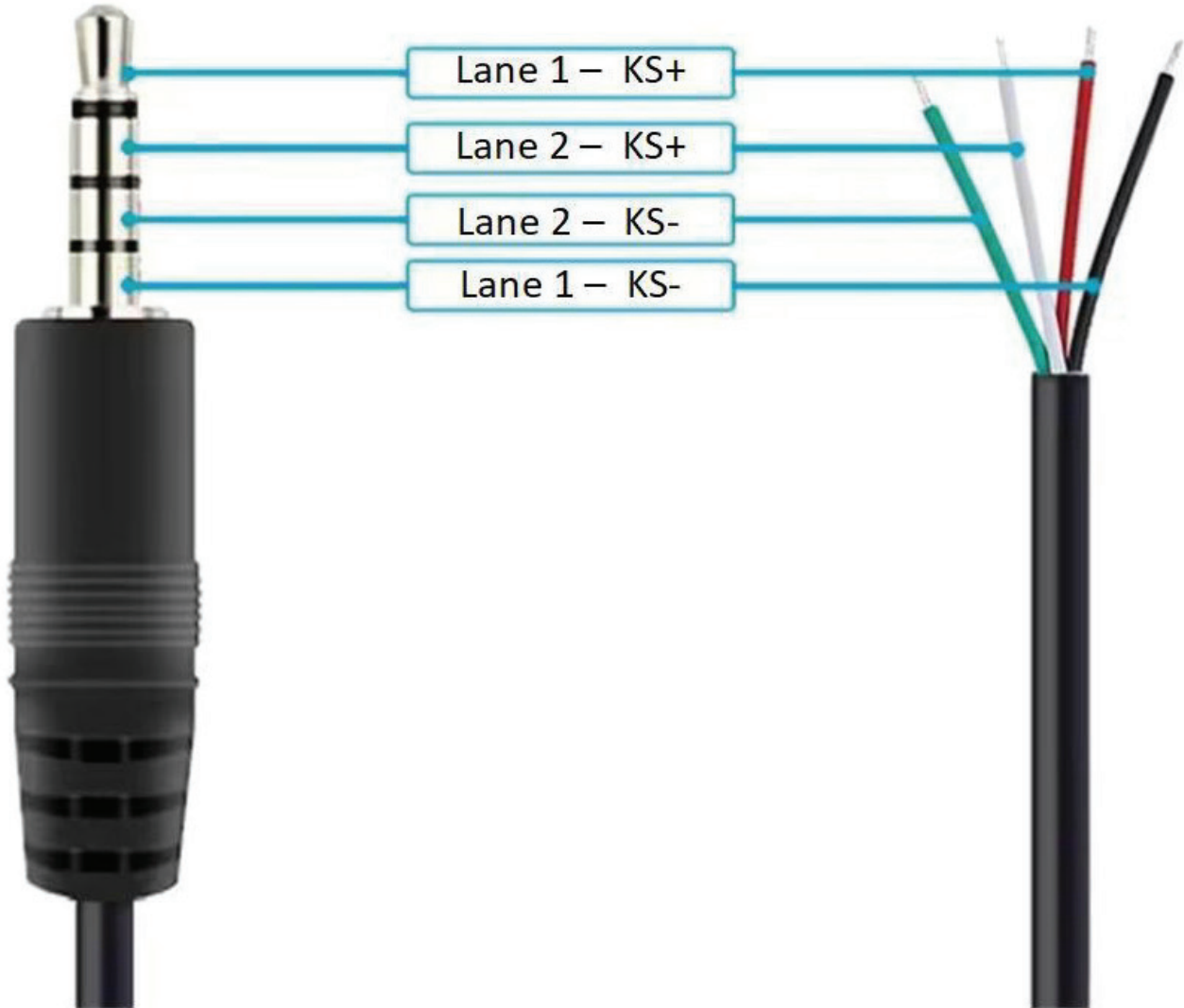
## BASE STATION CONNECTIONS



- |   |                                    |
|---|------------------------------------|
| 1. Power  | 8. 3.5mm Audio Port, Aux1 Audio In |
| 2. External Vehicle Detector Output                   | 9. Base Station Reset Button       |
| 3. 2.5mm Audio Port, Alert Circuit X 3                | 10. RJ45 for Future Lane Expansion |
| 4. 3.5mm Audio Port, Aux 2 Audio In                   | 11. RJ45, Lane 2 to Speaker Post   |
| 5. 3.5mm Audio Port, Aux 2 Audio Out                  | 12. RJ45, Lane 1 to Speaker Post   |
| 6. 3.5mm Audio Port, Kitchen Speaker for Lane 1 and 2 | 13. Dual USB Ports                 |
| 7. 3.5mm Audio Port, Aux 1 Out                        | 14. RJ45, Network Port             |

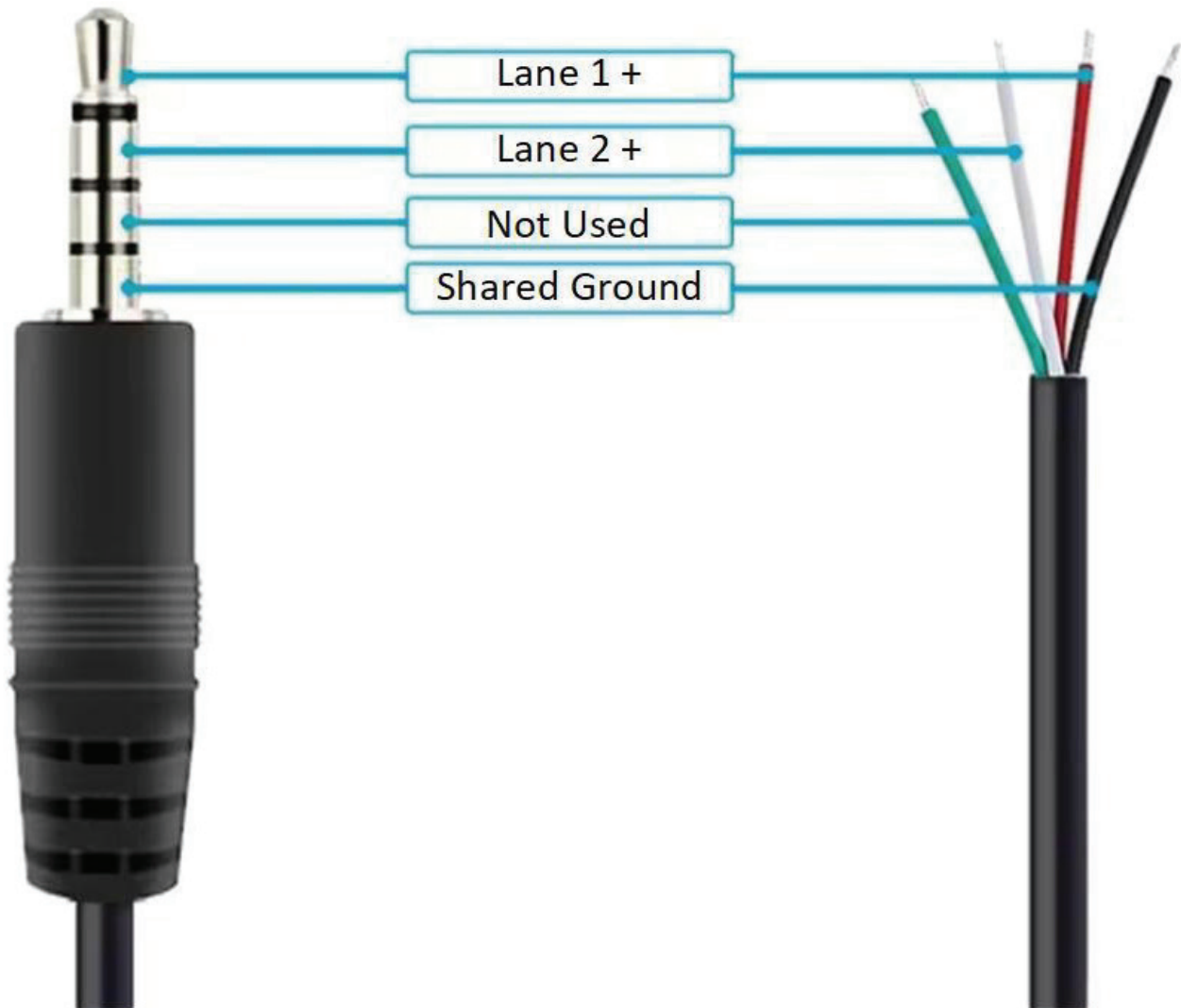
### KITCHEN SPEAKER WIRING

The kitchen speakers for both lane 1 and lane 2 connect using the same 4-pole, 3.55mm audio jack.



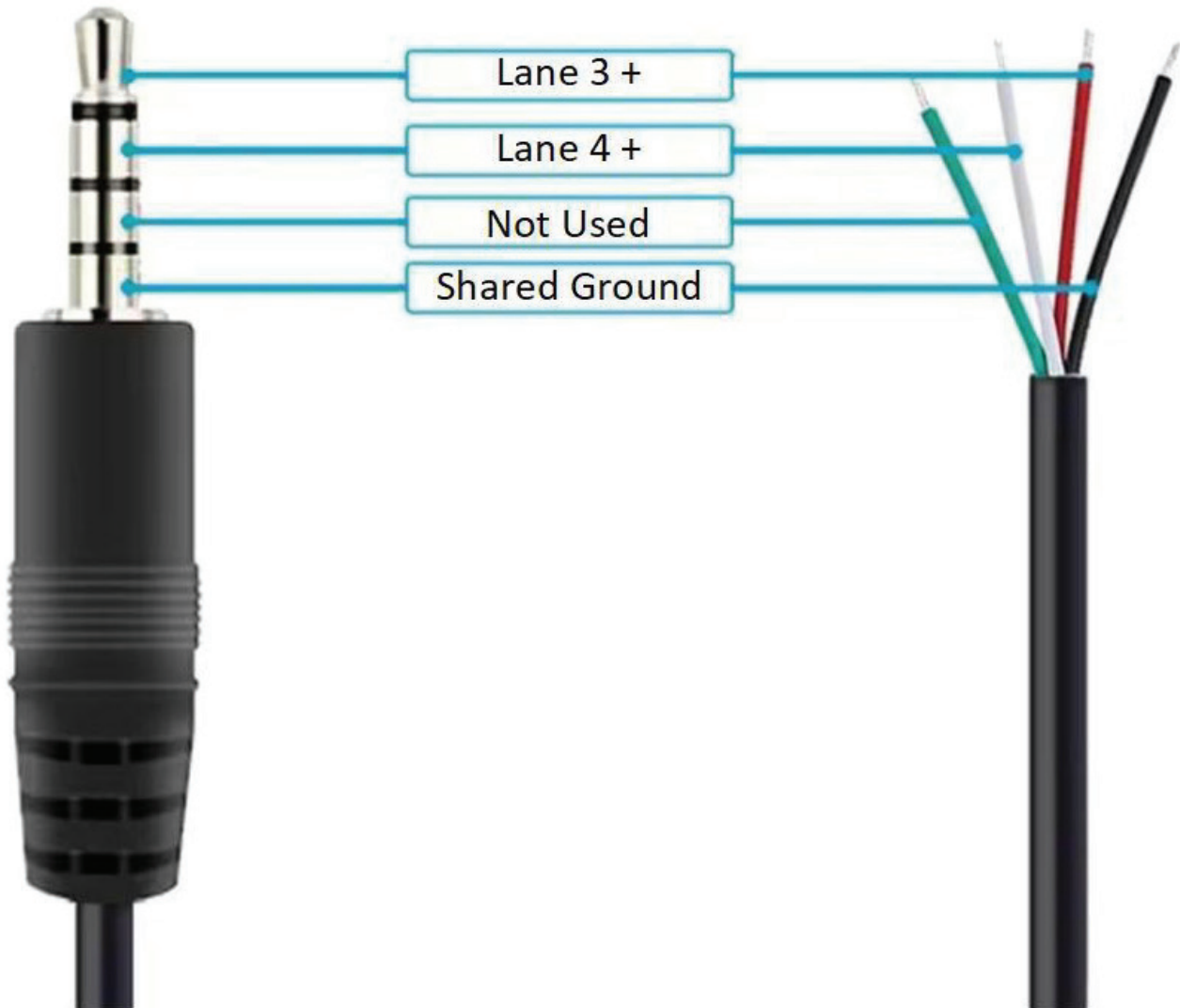
**AUX1 OUT**

The Aux 1 Out port allows you to route audio from lane 1 or lane 2 to an external device. This is a line-level output and will not drive an external speaker without amplification.



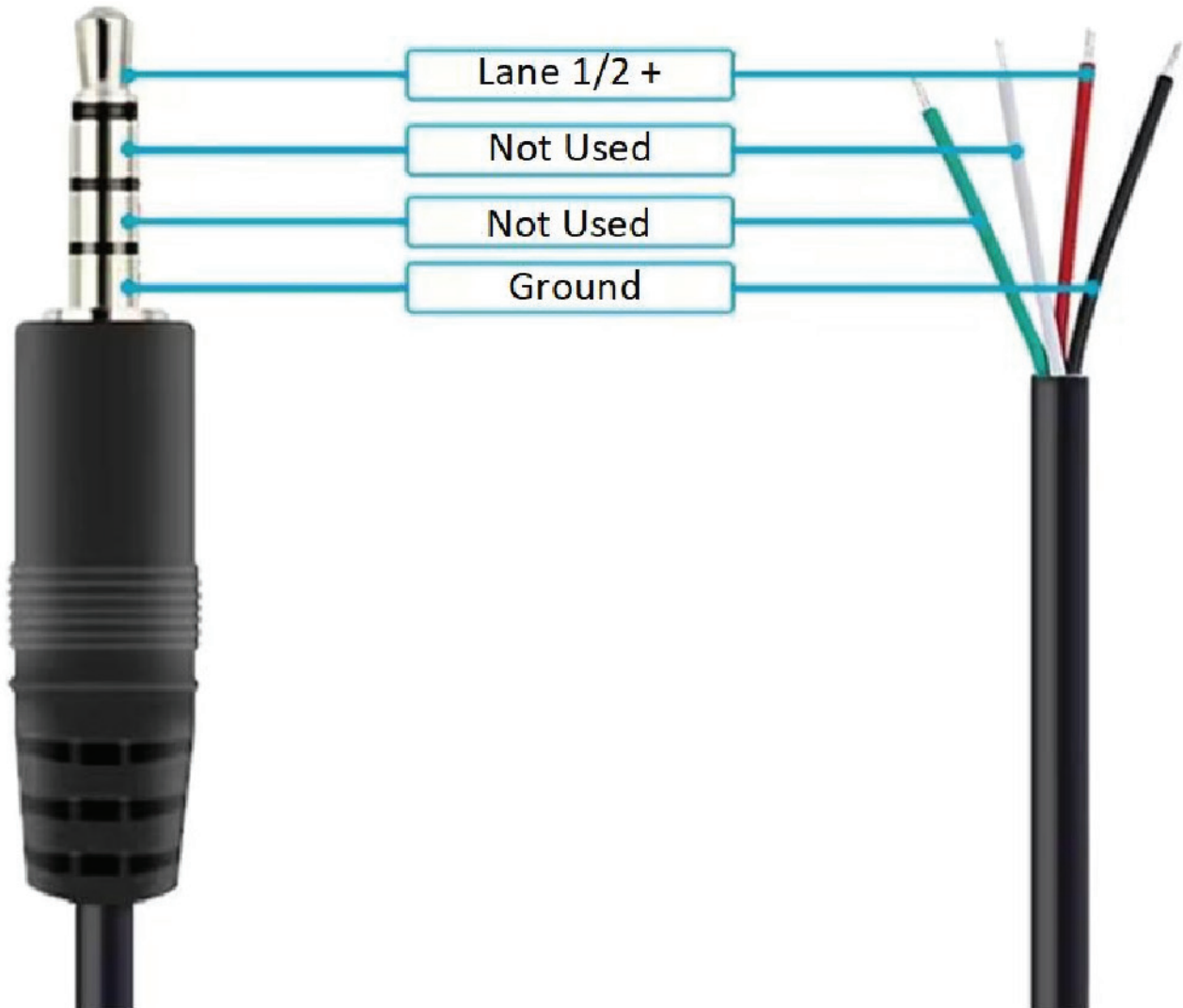
**AUX2 OUT**

The Aux 2 Out port allows you to route audio from lane 3 or lane 4 (future development) to an external device. This is a line-level output and will not drive an external speaker without amplification.



**AUX 1/2 IN**

The Aux 1/2 In ports allow you to route line-level audio from an external device, like a PC or AI device, to the speaker post speaker for lane 1 and 2.



**ALERTS**

The alerts port allows you to connect closed-contact alarm inputs from a variety of external devices. This allows an external device to trigger an alert on the base station that plays audio to the headsets, kitchen speakers, or the aux out devices.

